



EvolvePlus Pty Ltd

Micro LCD Screen People Counter

Installation Guide & Operating Instructions

Models: PRx11D1 – PTx11-1



Version Date: January 2025

© 2025 EvolvePlus Pty Ltd

www.evolveplus.com.au

This publication is provided "as is" without warranty of any kind, either express or implied. The names of actual companies and products mentioned herein may be the trademarks of their respective owners. We reserve the right to revise and make changes to the content of this document from time to time without notice.

Table of Contents

Overview – PRx11D1 – PTx11-1(Uni-directional)	3
Specifications	3
Enable the batteries	4
Install People Counters.....	4
Additional information.....	5
Check Alignment.....	5
Start Counting	6
Resetting the count value	6
Rotating the digit orientation on the LCD display screen.....	6
Replacing the batteries	6

Overview – PRx11D1 – PTx11-1(Uni-directional)

The PRx11D1 – PTx11-1 (Micro LCD screen display model) is a uni-directional people counter. The principle is based on the interruption of a horizontal infrared beam.

The transmitter PTx11-1 transmits the infrared beam to the receiver "PRx11D1". When this infrared beam is interrupted, e.g. by a person, the receiver detects this and will increase the internal counter.

The PRx11D1 is not direction sensitive, which means that counts from both directions are captured and stored together.

Specifications

Mechanical

Dimensions 83 x 51 x 14 mm
Material PMMA Black

Electrical

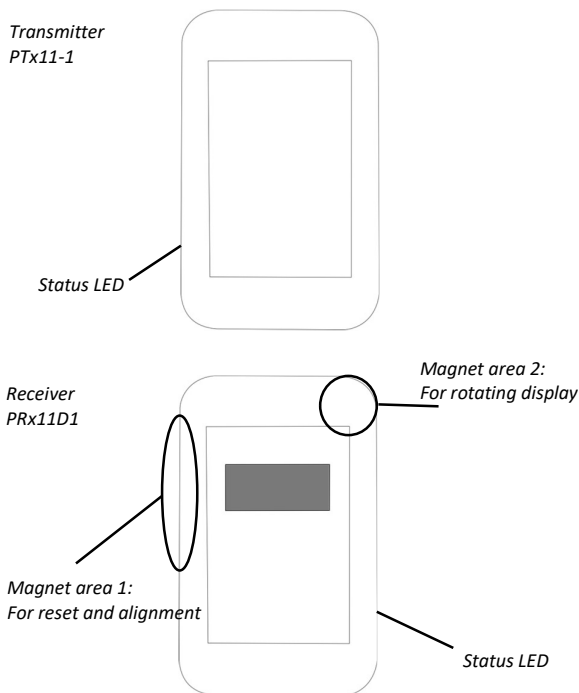
Power supply 3V CR2450 battery

Operational

Measurement width 5 metres
Maximum count value 999999

Delivered content

- Receiver with display (PRx11D1)
- Transmitter (PTx11-1)
- Magnet key hanger
- 2 x 3V CR2450 batteries
- Double-sided foam tape
- Quick installation guide



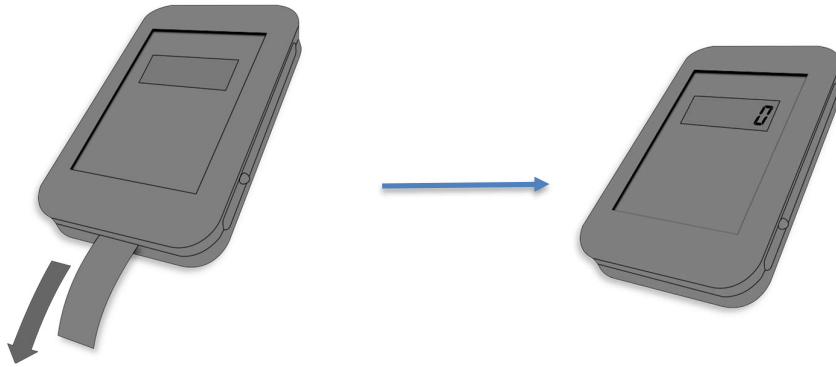
Enable the batteries

To power on the transmitter and receiver, gently pull out the clear plastic strip.

When the transmitter counter (PTx11-1) is powered correctly the status LED will flash twice.

When the receiver counter (PRx11D1) is powered correctly the LCD display screen will show '0'.

Receiver
PRx11D1

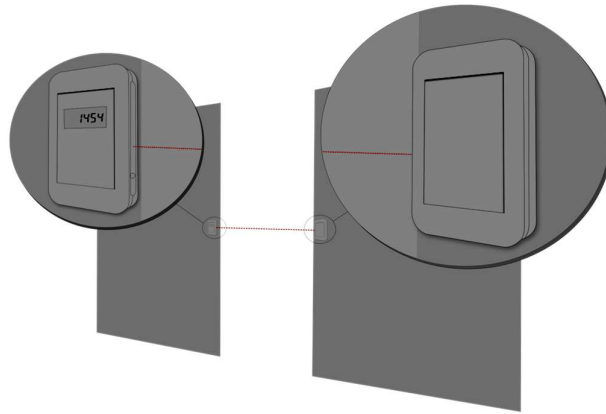


Install People Counters

When mounting the People Counters take care of the following:

- The maximum distance between the transmitter PTx11-1 and receiver PRx11D1 is 5 metres.
- To count adults, the optimum mounting height is between 125 and 140 cm.
- Avoid the possibility of obstacles blocking people counter line of sight.
- Use a wall or another steady object to mount People Counters using double-sided foam tape (supplied).





Additional information

Be aware of infrared light from other sources like bright lights and infrared devices. When the PRx11D1 receives infrared from other sources, instead of the PTx11-1, unexpected behaviour could be the result.

Due to the strong field of AM anti-shoplifting systems it is recommended to place the People Counter at least 1 metre away from an AM system.

The measurement width of 5 metres will decrease when the infrared signal goes through glass.

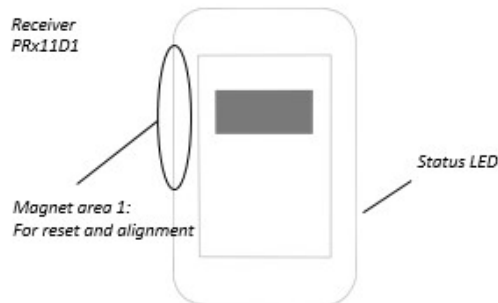
Note: The red LED on the receiver (PRx11D1) will light up when noise is detected. In cases where noise is detected remove the source of disturbance.

Check Alignment

To have accurate counting the receiver (PRx11D1) needs to 'see' the transmitter (PTx11-1).

The receiver contains an alignment feature which helps you to point the transmitter to the receiver.

To enable the alignment mode slide the magnet on the side of the receiver (PRx11D1) [Opposite side of status LED – see illustration].



When the LED is blinking red you need to point the transmitter to the receiver until the LED lights up green continuously.

Accuracy of the People Counter

The accuracy of the counter will be higher when the distance between the transmitter and receiver gets smaller. When one or more persons pass the infrared beam at once, the People Counter will increase the count value by one.

Start Counting

The count value on the display will count from 0 to 999999. The green status led on the receiver will blink once each time a count is created.

Resetting the count value

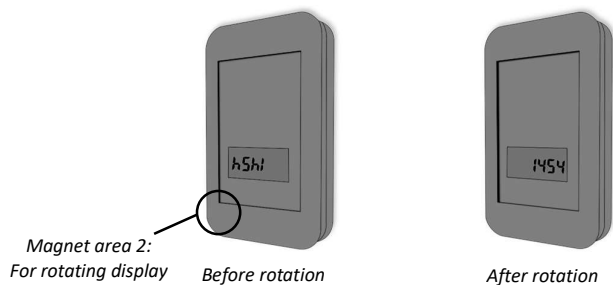
To reset the value on the display to 0, slide the magnet on the side of the receiver (PRx11D1) [Opposite side of status LED].

Note: The alignment mode in the receiver will also be activated when resetting the display. Slide again with the magnet over the side to disable the alignment mode.

Rotating the digit orientation on the LCD display screen

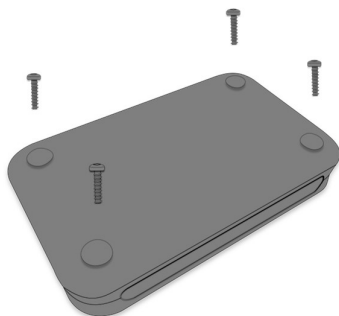
In cases where the preferred position of the receiver is on the right hand side, the digital readout can be rotated.

To rotate the digital readout place the magnet over the front of the case between the display screen and edge. (See illustration)



Replacing the batteries

When red led on the transmitter (PTx11-1) blinks the battery needs to be replaced. On the receiver the battery needs to be replaced when the display is getting to weak.



Please use a PH1 screwdriver to remove the screws.

Once the bottom and top part of the housing are separated the electronics board can be lifted out the housing.



Remove the battery by pulling gently on the white strip.

Replace the battery with the following type:

- CR2450 3V Lithium Battery

Please place the battery correctly with the + sign to the top.

Note: Connect correctly. Do not disassemble. Do not recharge. Please take care of the local regulations regarding disposal and recycling.